

**PRODUCT CODE: EWS14**  
SWITCH & SOCKET BOX

**DESCRIPTION**

35mm Extension Switch & Socket Box

**FINISH**

Pre Galvanised

**MATERIAL**

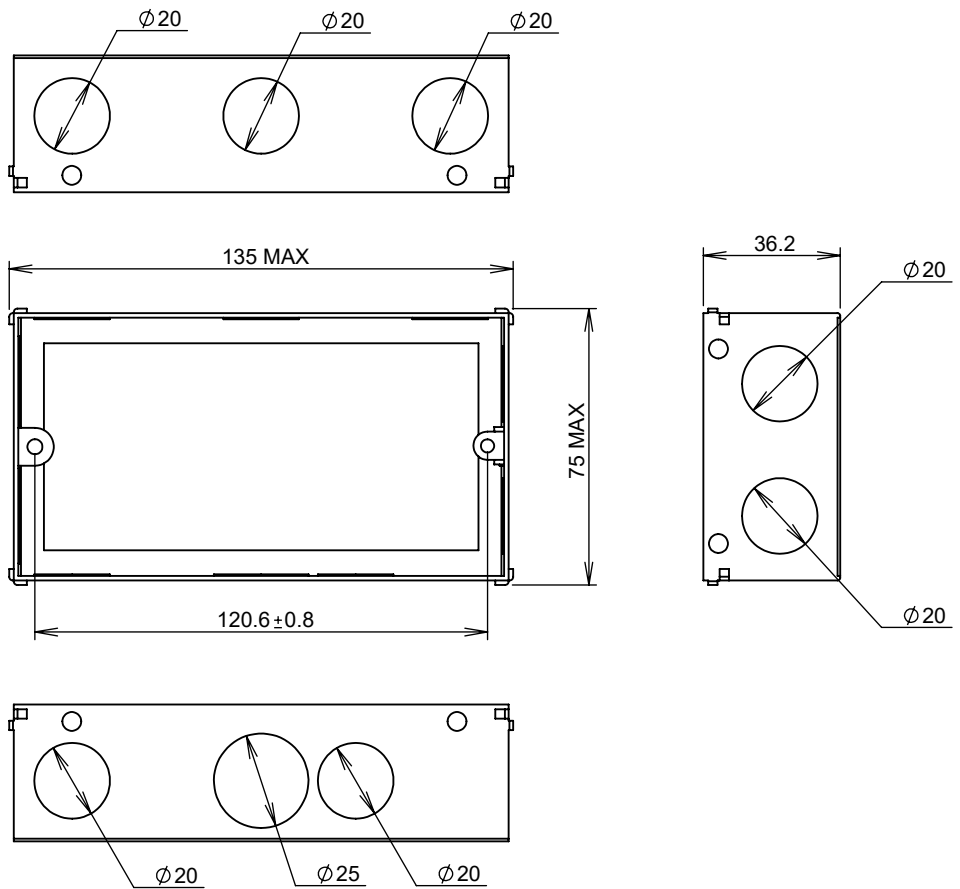
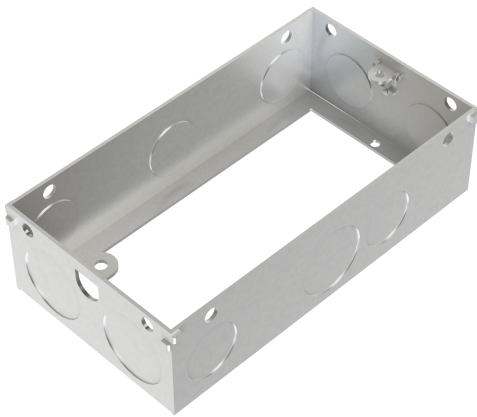
Sheet steel to comply with BS4662


**PACKAGING**

Packed in qty 5

**ADDITIONAL NOTES**

1 fixed lug and 1 adjustable lug, 20mm knockouts  
Compliant to BS4662 & LU Standard 1-085 (for use on surface & sub-surface locations)



 Values are nominal and with a general tolerance  $\pm 5\%$  unless otherwise specified